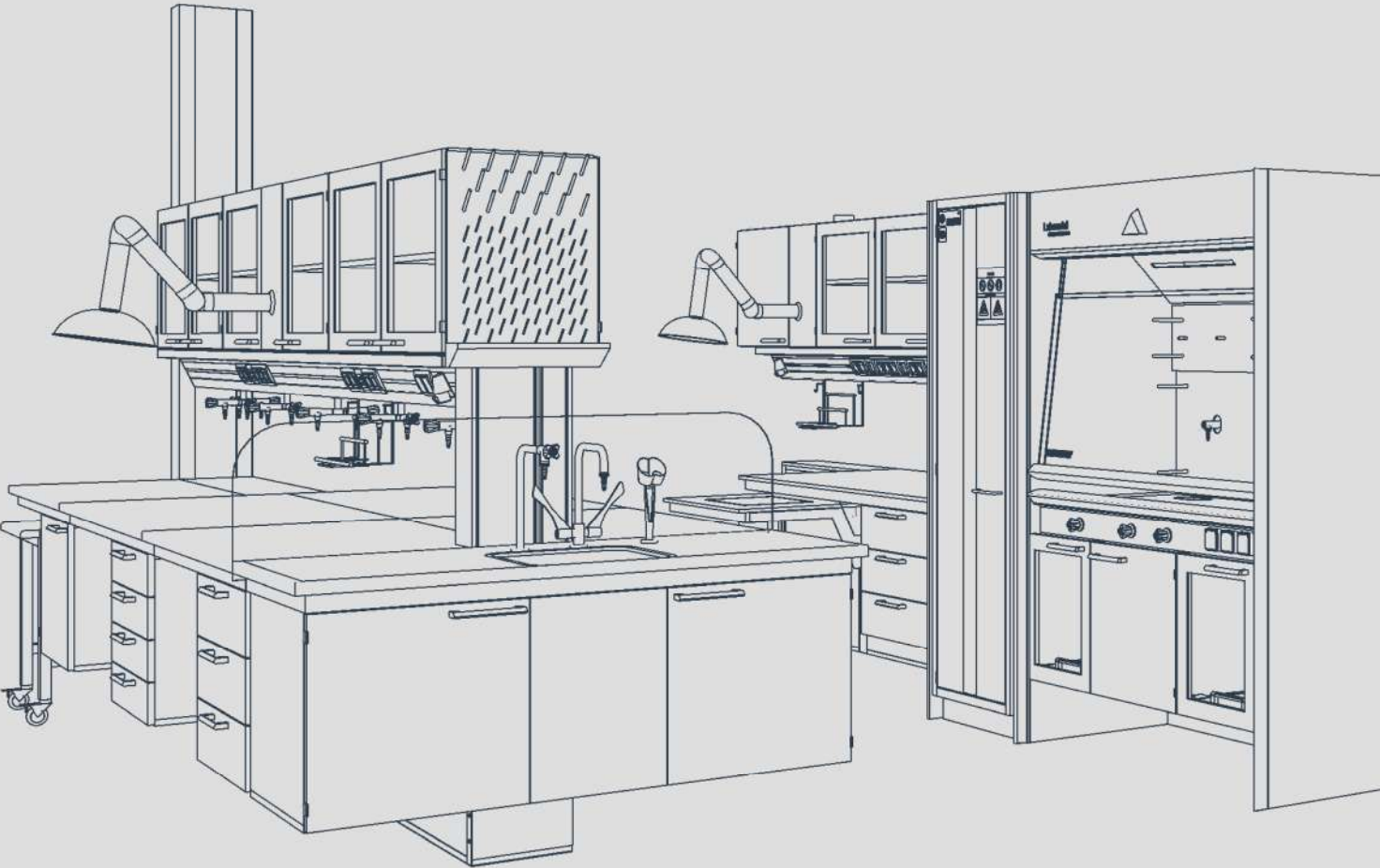


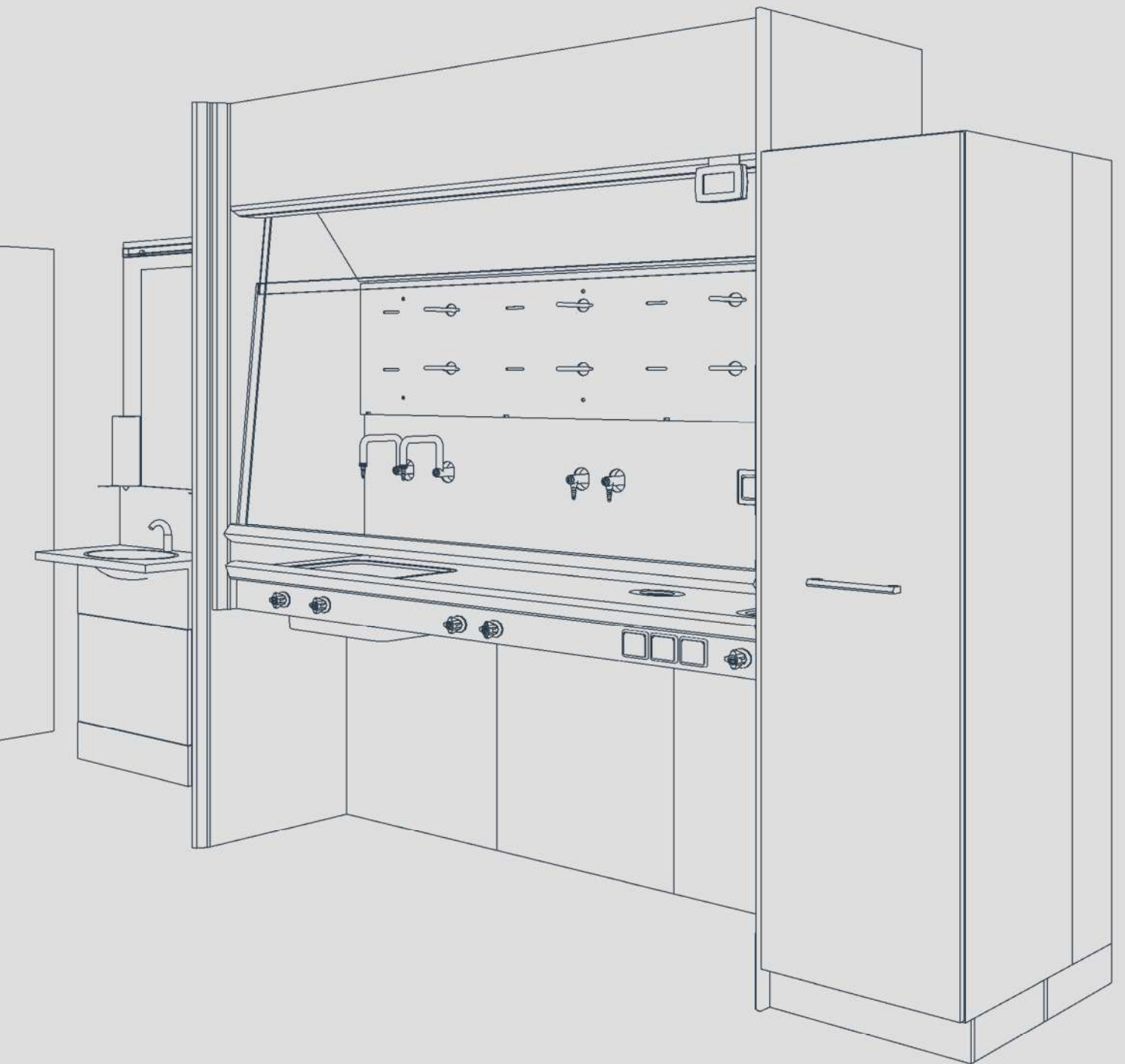
labmodul

Designing safety



Designing safety...









labmodul

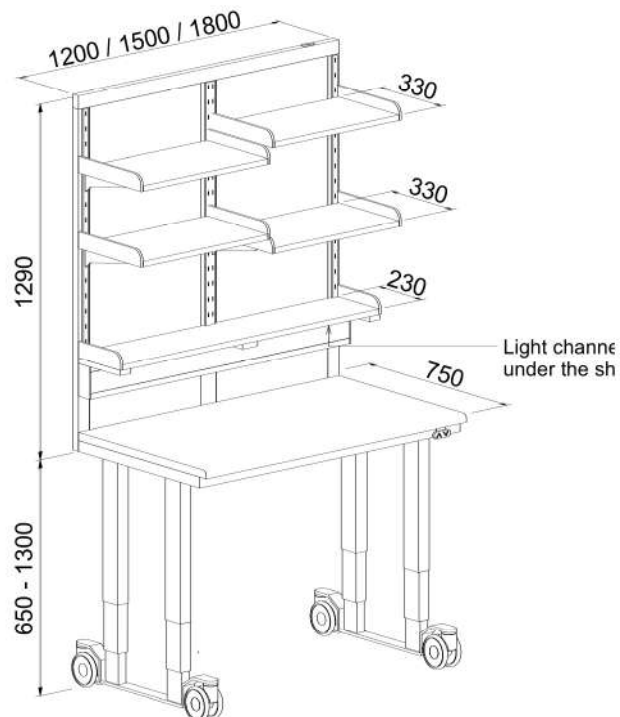
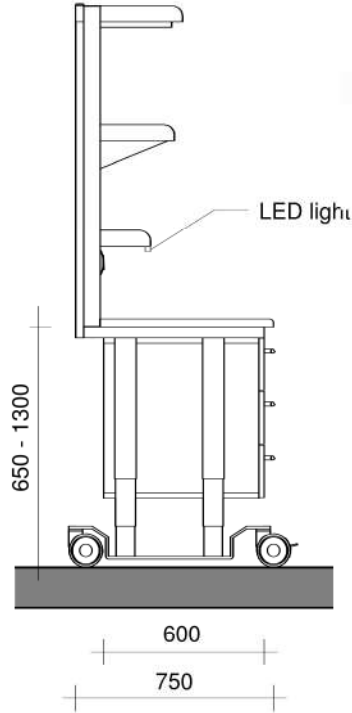
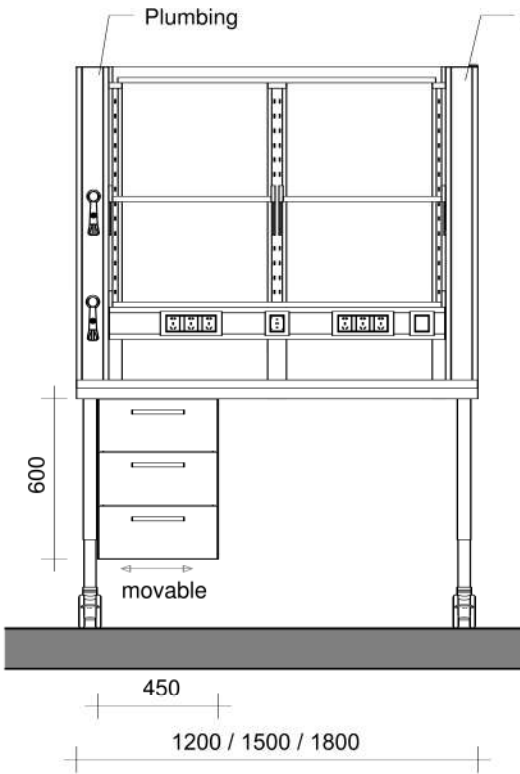
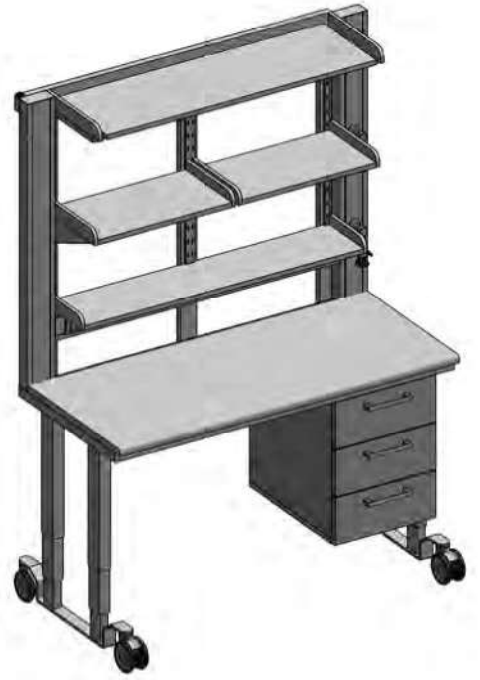
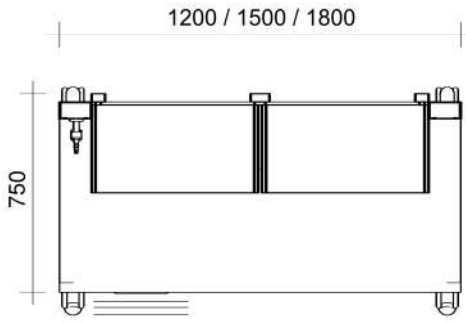


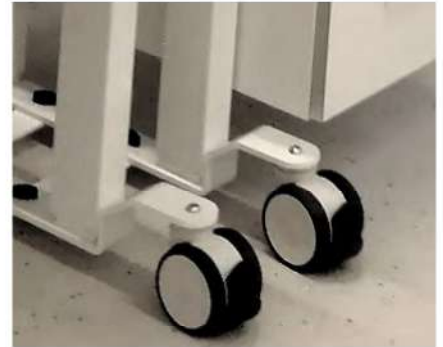
SYSTEM MOBILITY



SYSTEM MOBILITY

- ┌ Absolute flexibility
- ┌ Ergonomically height-adjustable
- ┌ High quality for daily use
- ┌ Designed for GMO facilities
- ┌ What you need, When you need, Where you need it
- ┌ Easy to clean





System Mobility

MOBILITY is a mobile furniture system with no bindings, full flexibility plug and play concept. Electrical height adjustable workplace including battery support for use everywhere in the facility.

Designed to for the highest degree of flexibility as well as covering future demands.

The system is compatible with our other system solutions and with a large program of sliding under bench cabinets for your needs.

All constructions are thoroughly tested, and the furniture system is made of resistant and robust materials to secure a durable solution suitable for many years of daily use.

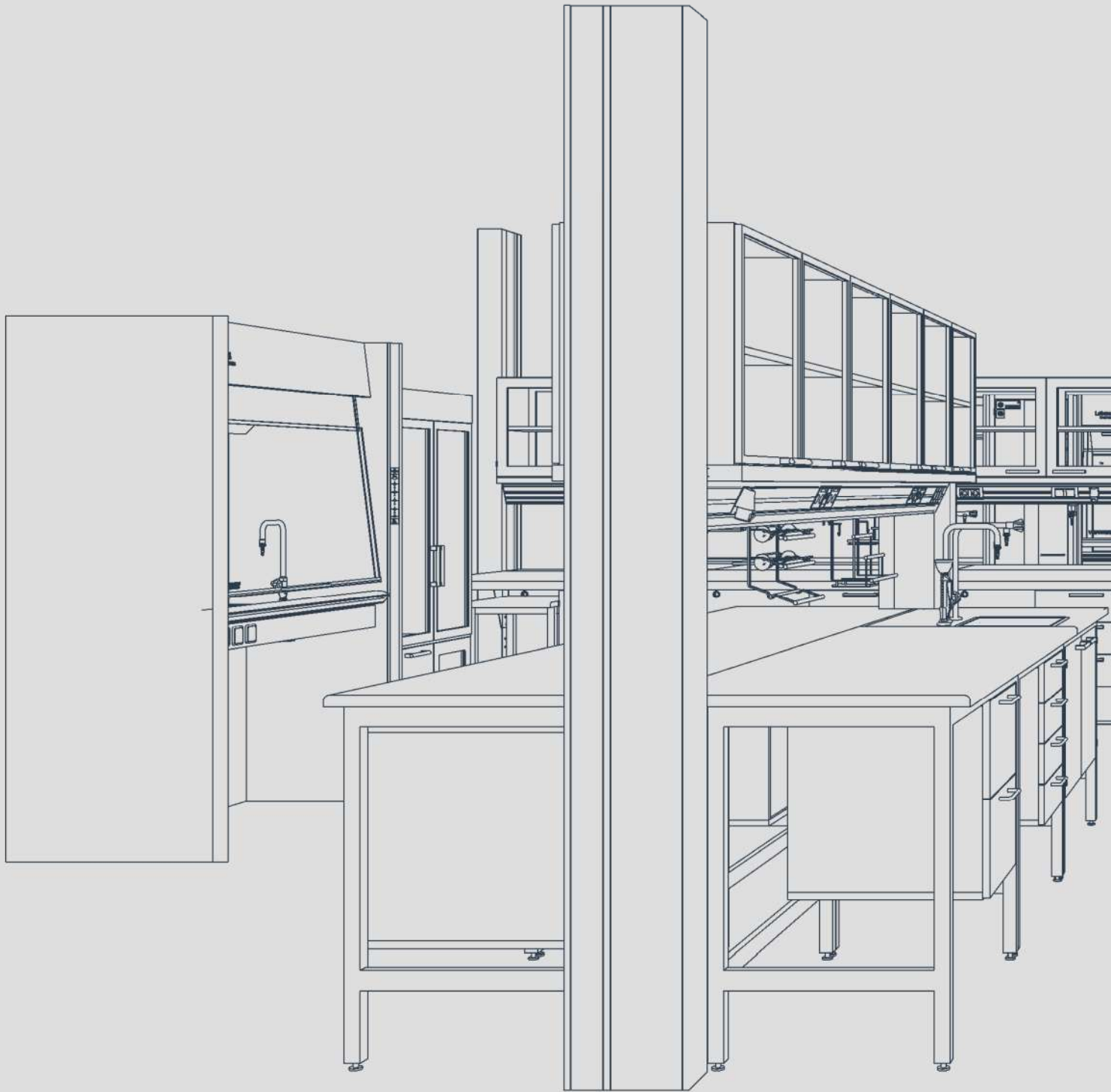
Height adjustable mobile bench with battery backup .. height adjustable everywhere:

- ◆ Integrated LED work-lighting in the unique media trucking for electrical sockets, water and gasses.
- ◆ Integrated 2 no. front castors with brakes
- ◆ Integrated adjustable shelves
- ◆ Integrated fastening fitting for connecting charts together
- ◆ Integrated Quick-connects for technical medias
- ◆ Integrated chases for electricity and plumbing
- ◆ Compact laminate worktop

All the materials are carefully chosen in regard to recycling and sustainability.











labmodul
Designing safety

Version: ★ ★ ★

LABMODUL A/S

Valhøjs alle 190
DK-2610 Rødovre
info@labmodul.dk