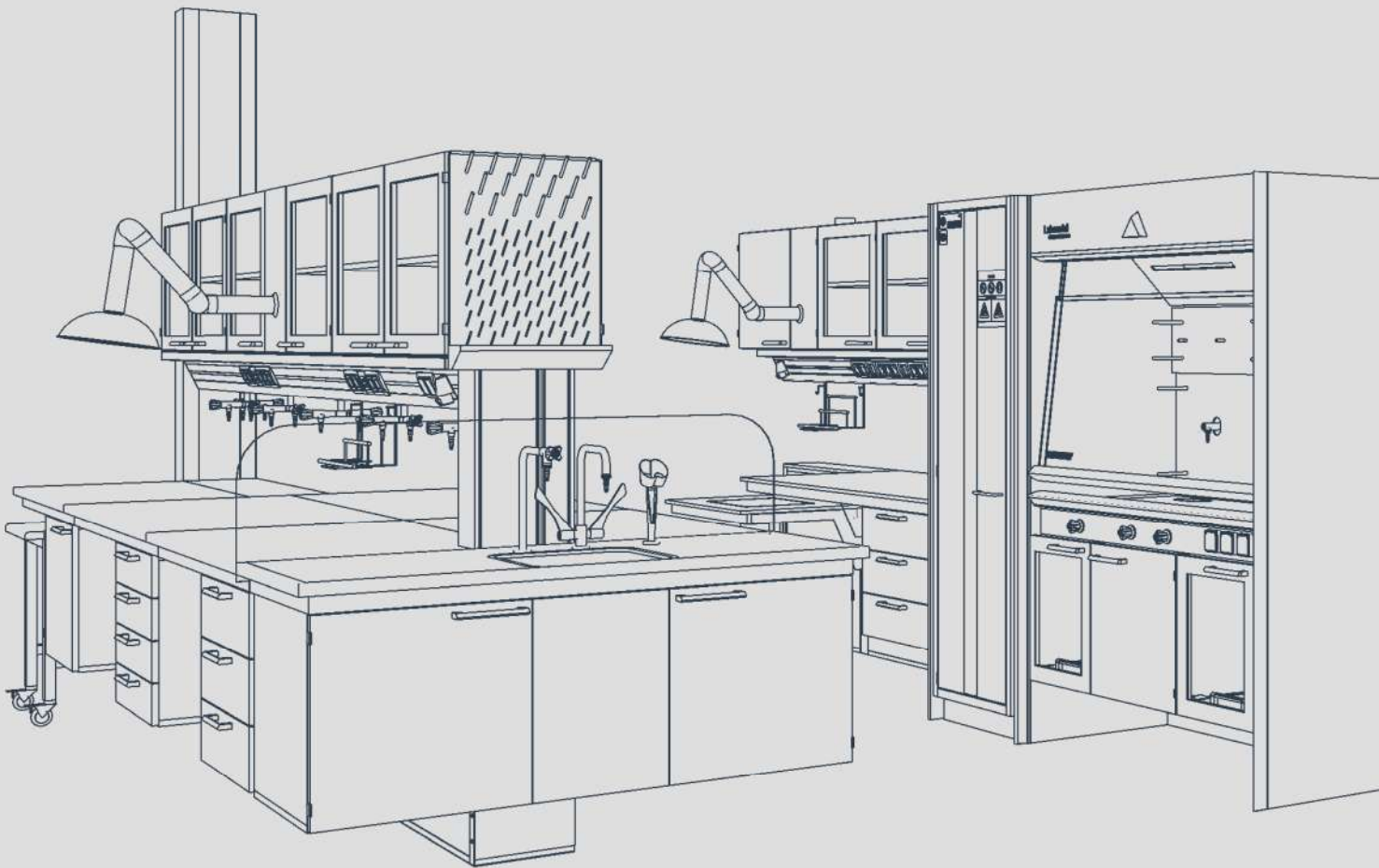


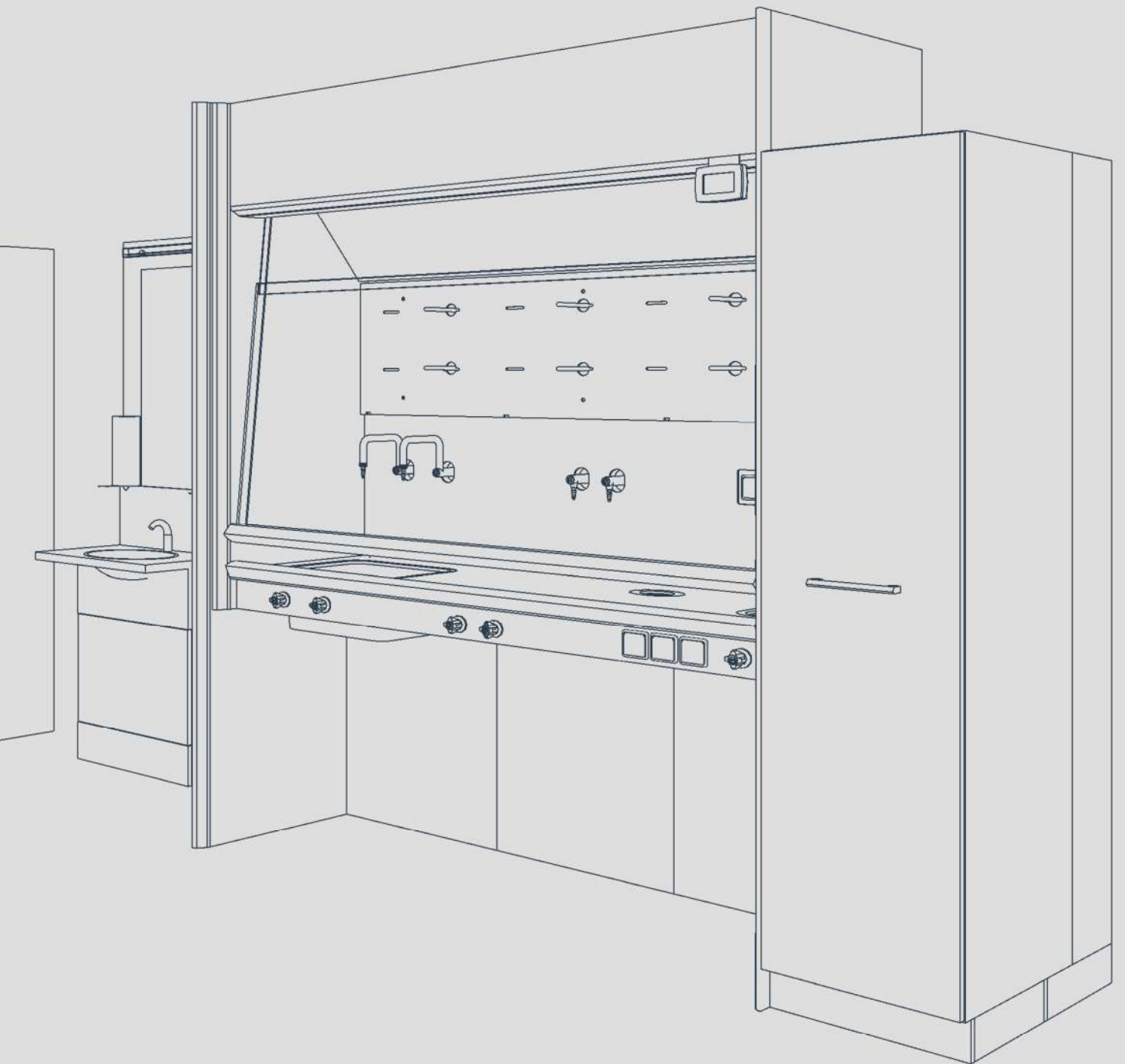
labmodul

Designing safety



Designing safety...









labmodul



SYSTEM CAPACITY



SYSTEM CAPACITY

- Spacious with extra storage capacity
- Prepared for trays and baskets
- High quality for daily use
- Designed for GMO facilities
- Modern design
- Great carrying capacity for heavy equipment
- Easy to clean



System Capacity

Capacity fully exploits the room beneath the worktop and offers a large storage capacity.

It is stationary, stable, and particularly suited for laboratories with heavy equipment.

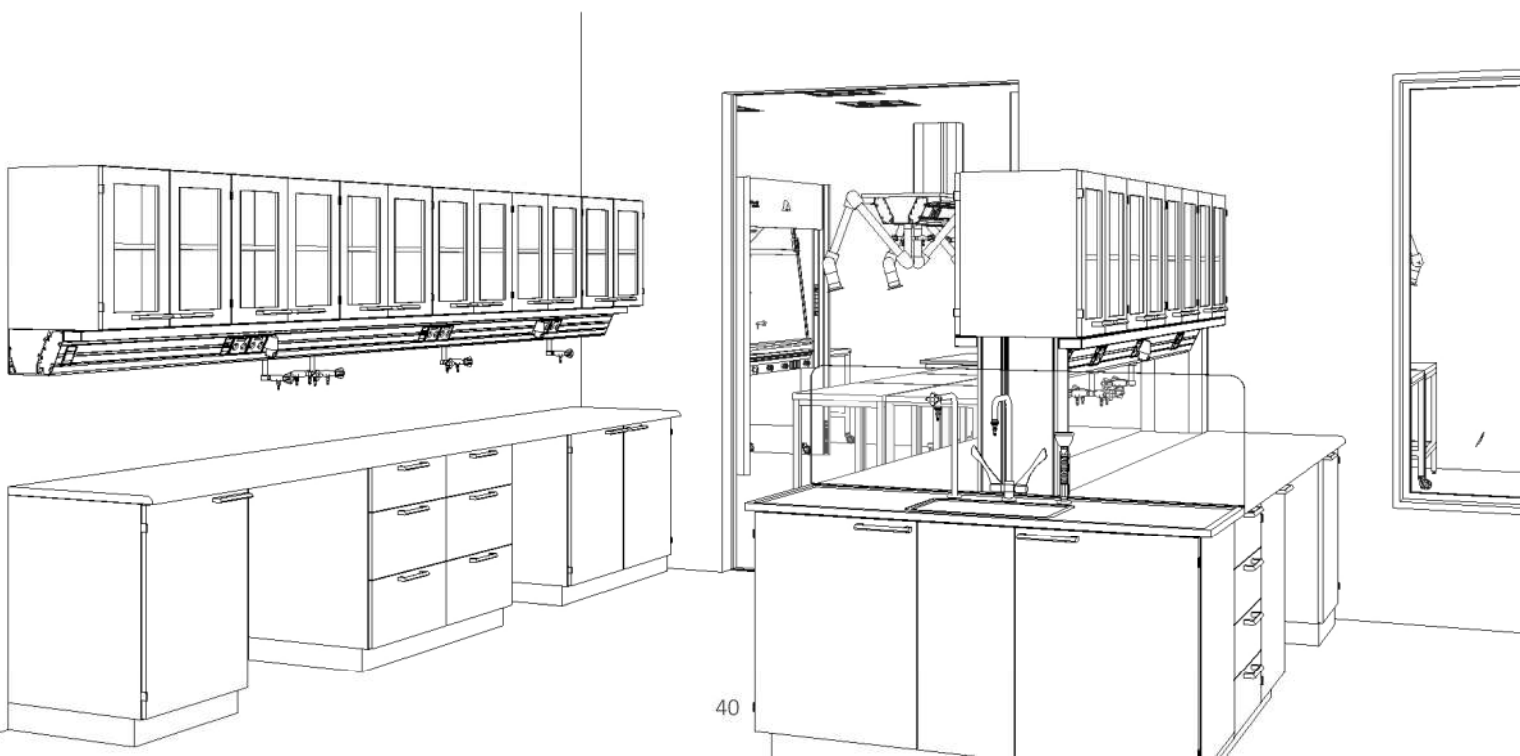
The cabinets come in two heights for standing or sitting when doing specific work tasks.

The cabinets are prepared for mounting of 60/40 storage system panels and can be delivered with system trays and baskets either from the beginning or to be added later on.

Dishwashers and other equipment up to a height of 87cm can be placed under the benchtops.

Capacity can be combined with our other furniture systems.

Benches can be fitted with a service bridge containing light and built-in supply installations for power, gasses, water, etc



Capacity for GM

Capacity is suitable for laboratories with high cleanliness demands.

Underbench cabinets are mounted on a waterproof plinth clad with laminate.

This solution covers all GMO requirements.

The cabinets are prepared to adapt to the comprehensive ISO tray/basket system 60/40.

Solutions for Clean Rooms

Capacity is offered with cabinet carcass and fronts made from compact laminate for clean rooms and other work environments that require inorganic materials that can withstand water and moisture.



A wide programme

Capacity is offered with cabinet boxes and fronts made of compact laminate for working environments demanding a solution of inorganic material, resistant to humidity and water.

Base cabinets are mounted on a laminated waterproof plinth. This is an easy-to-clean solution meeting all GMO furnishing requirements.

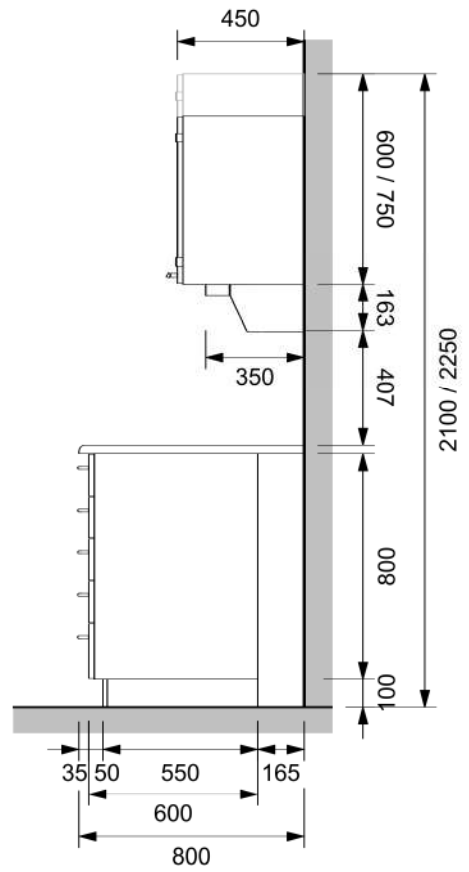
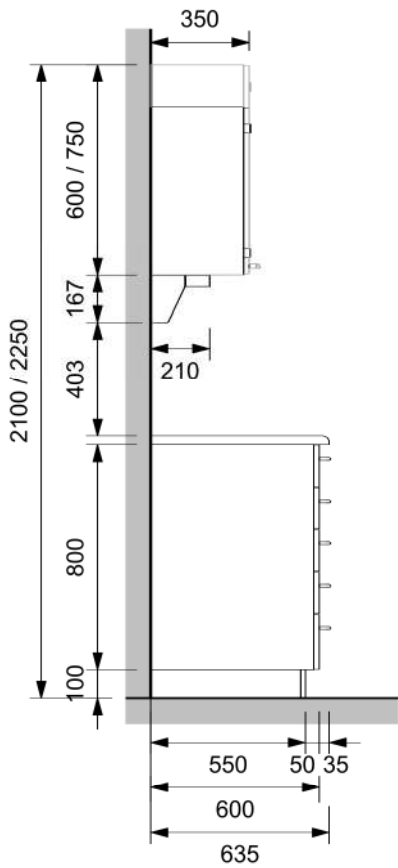
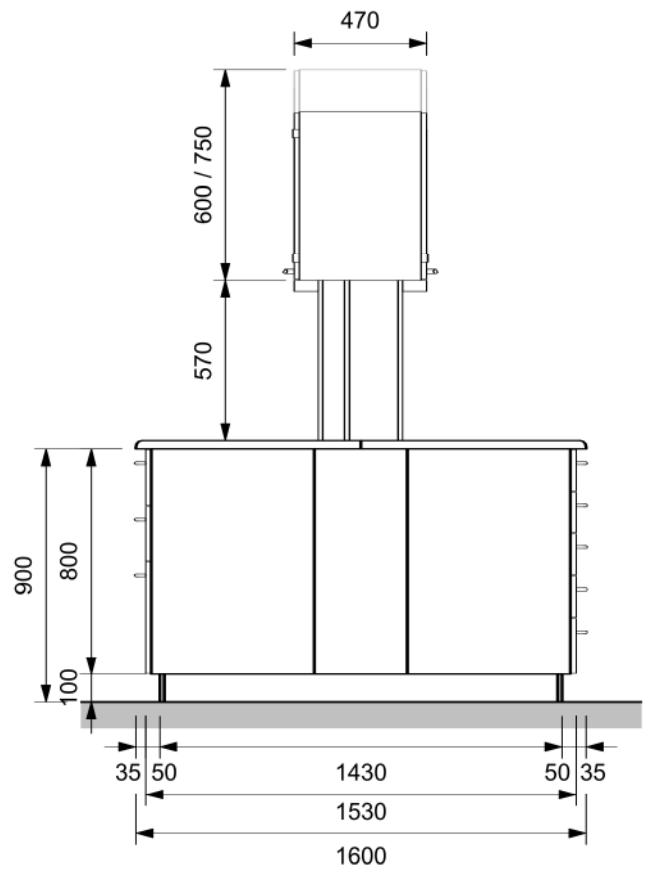
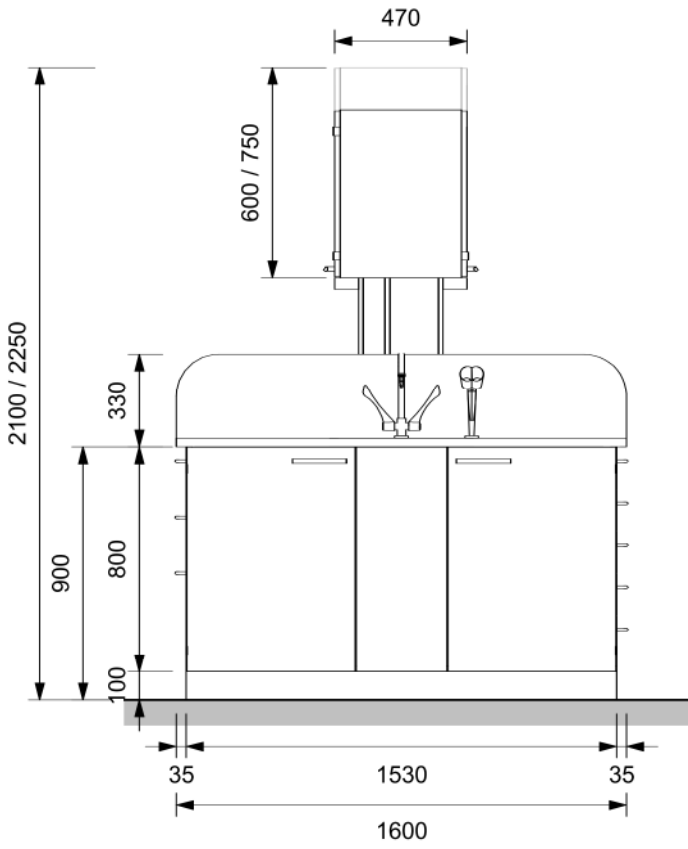
The cabinets are prepared for the extensive ISO tray/basket system 60/40.

The flexibility provides an extra storage room and the tray system offers unlimited possibilities for further division and organization of smaller spaces.

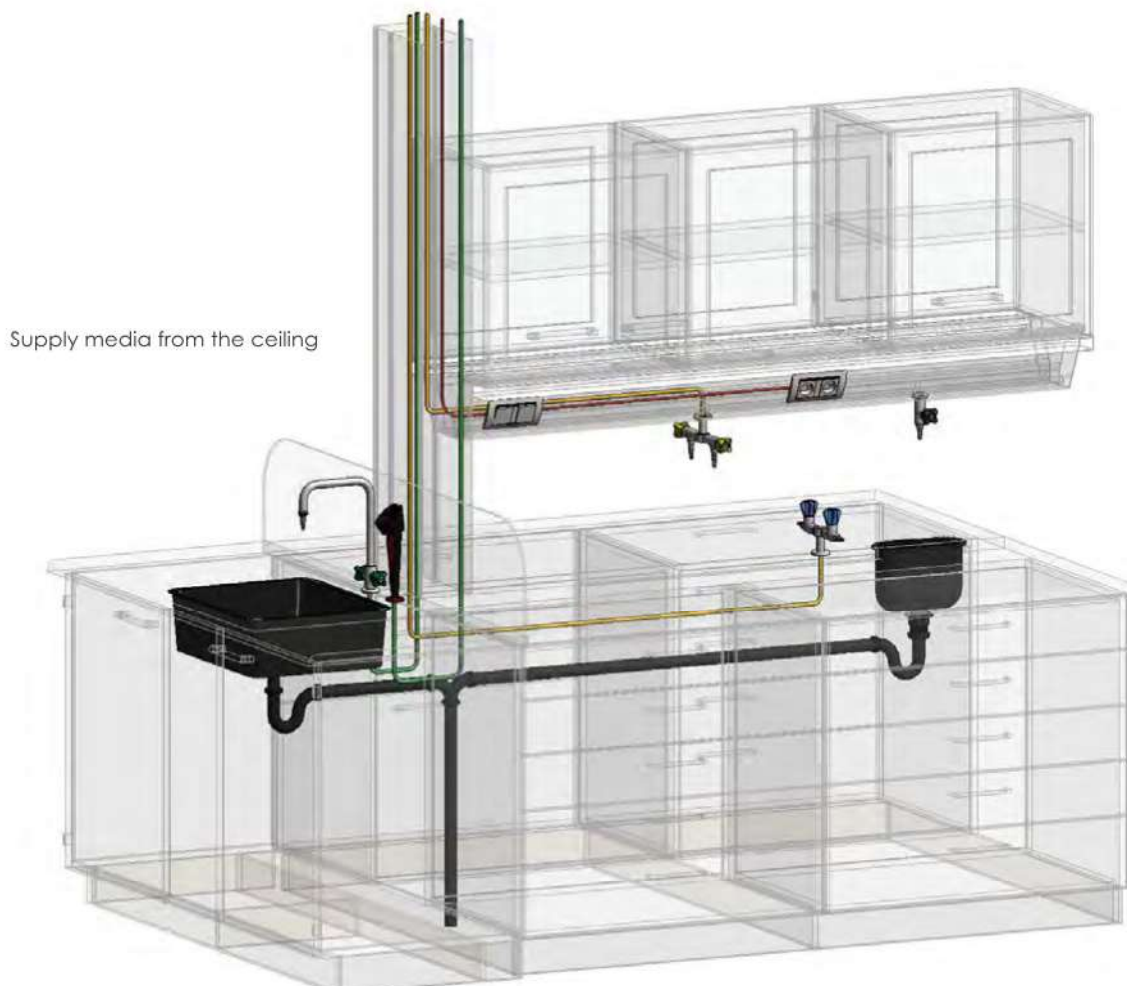
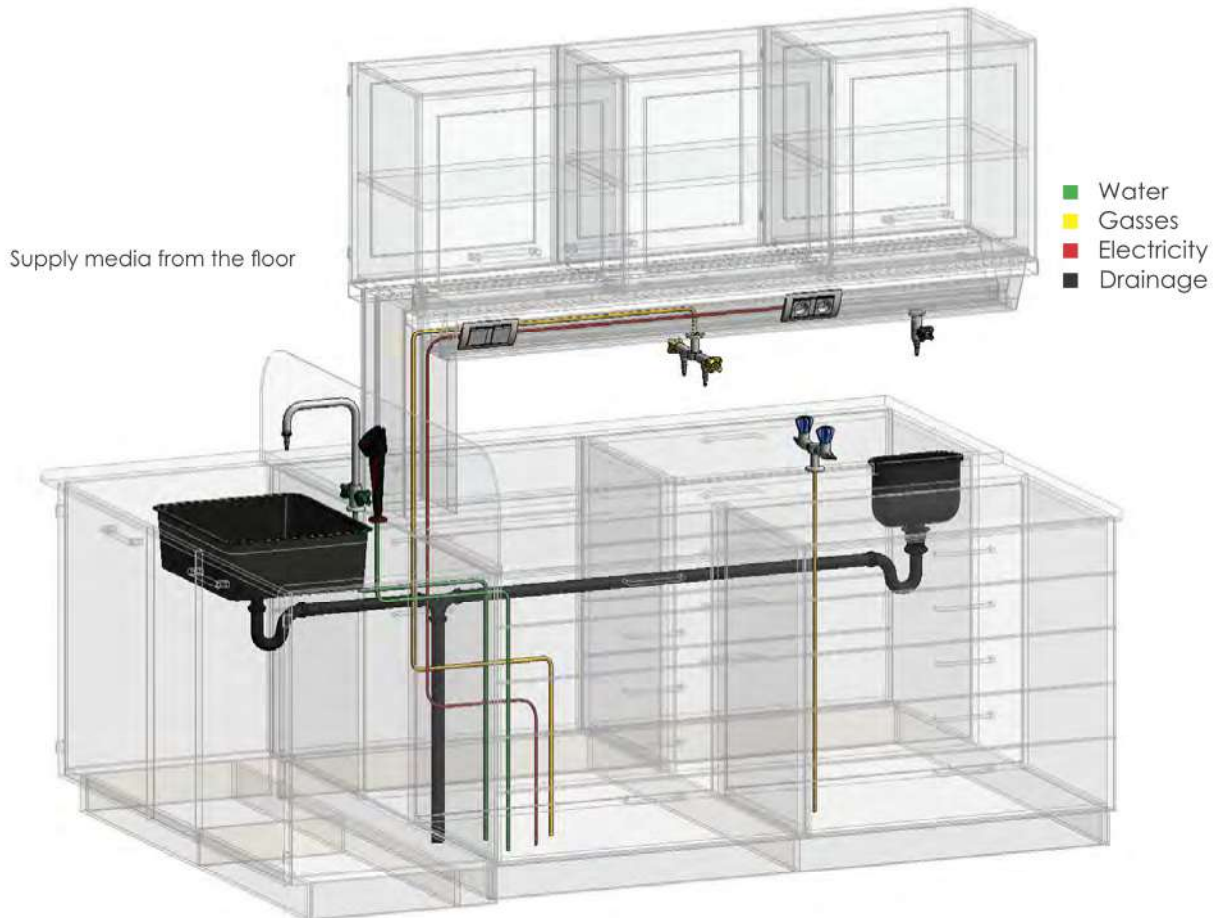




System Capacity Technical Drawings

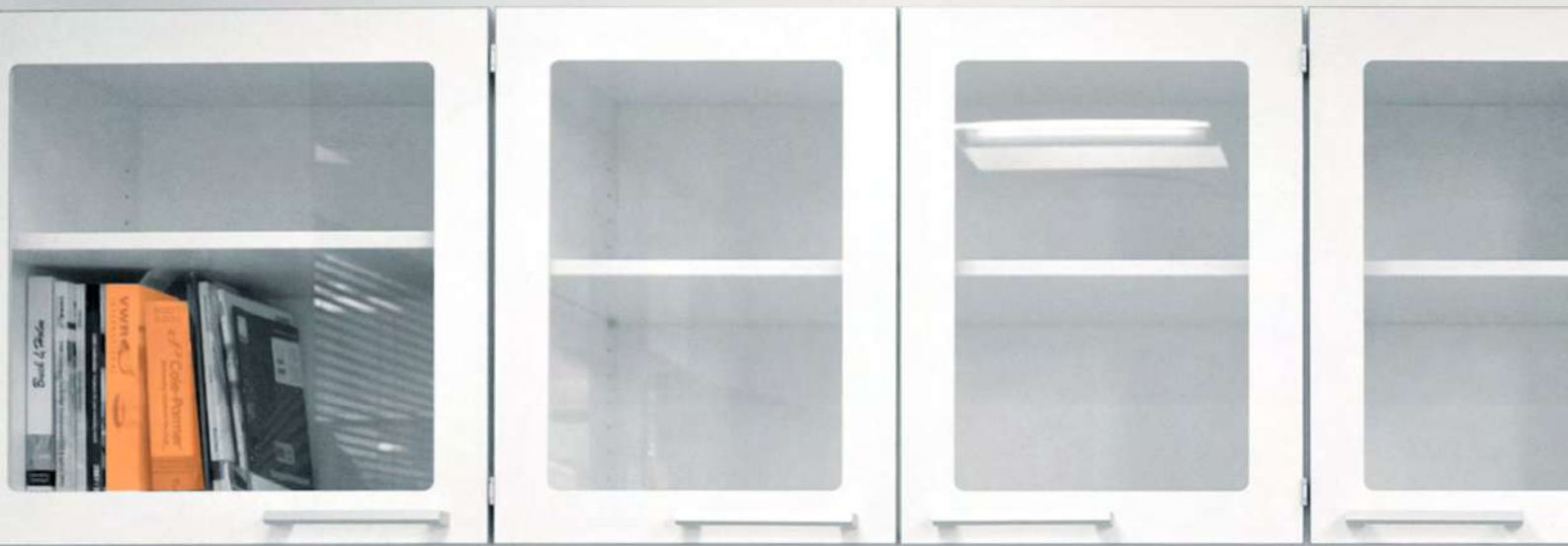


System Capacity - Installations

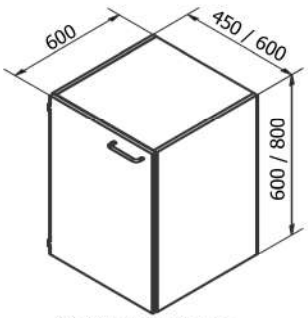




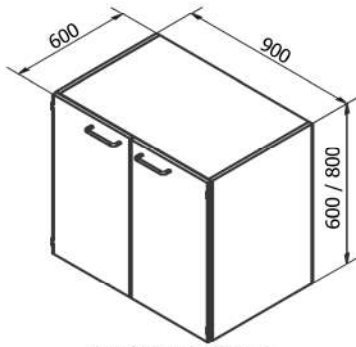




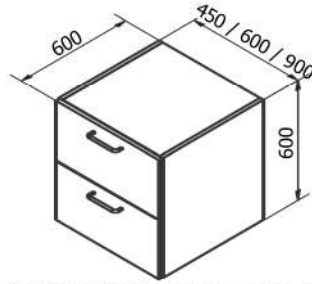
Underbench Cabinet on plinth



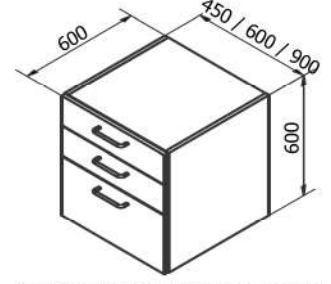
Cabinet with 1 door



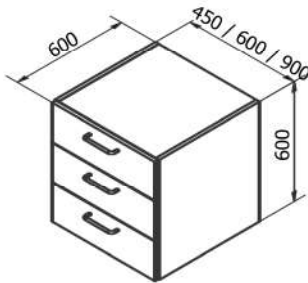
Cabinet with 2 door



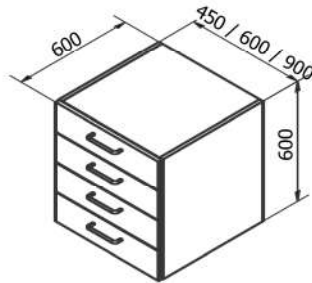
Cabinet with 2 drawers - comb. A



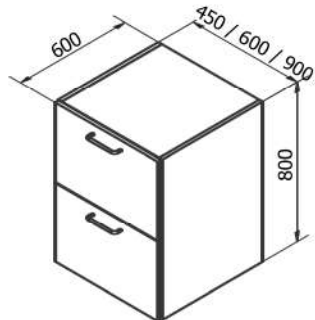
Cabinet with 2+1 drawers - comb. B



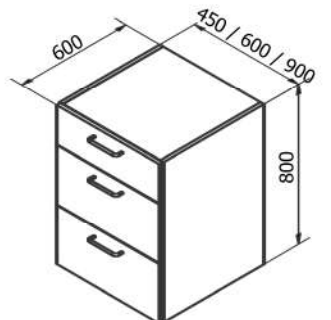
Cabinet with 3 drawers - comb. C



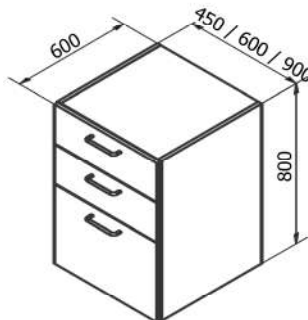
Cabinet with 4 drawers - comb. D



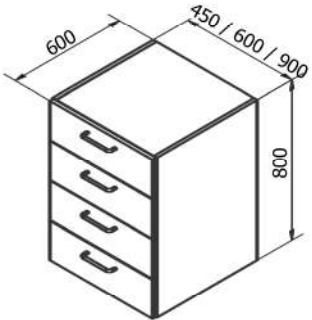
Cabinet with 2 drawers - comb. E



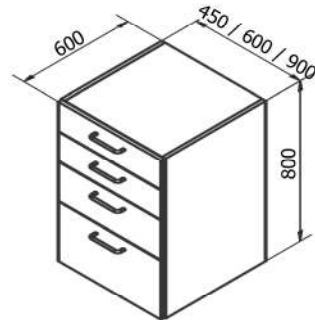
Cabinet with 1+2 drawers - comb. F



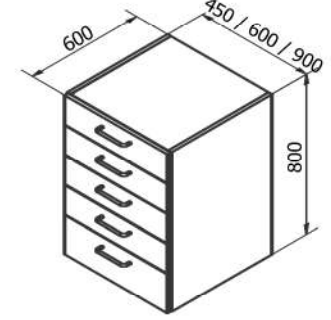
Cabinet with 2+1 drawers - comb. G



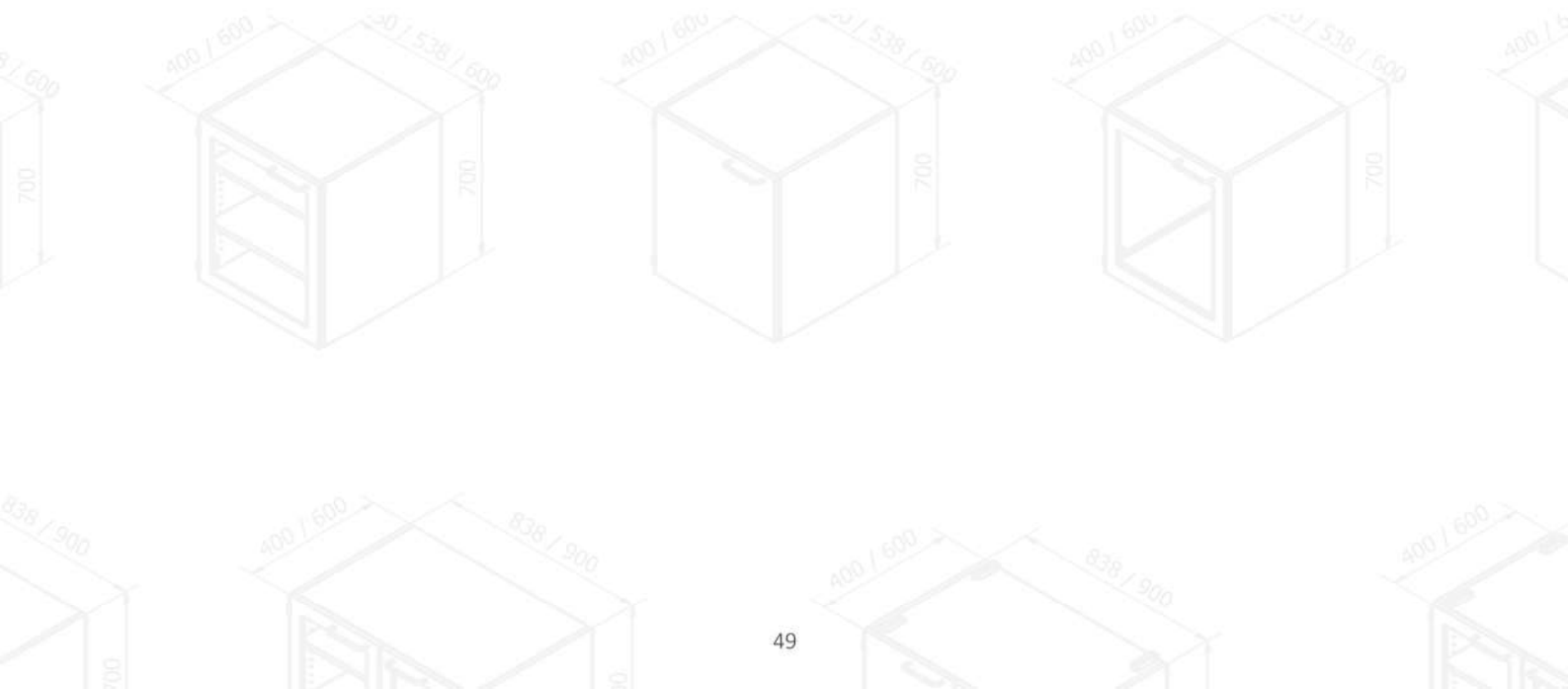
Cabinet with 4 drawers - comb. H



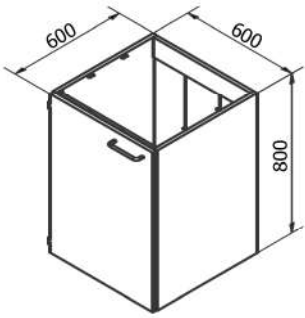
Cabinet w. 2+1+1 drawers - comb. I



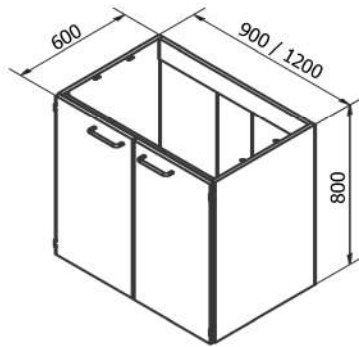
Cabinet with 4+1 drawers - comb. J



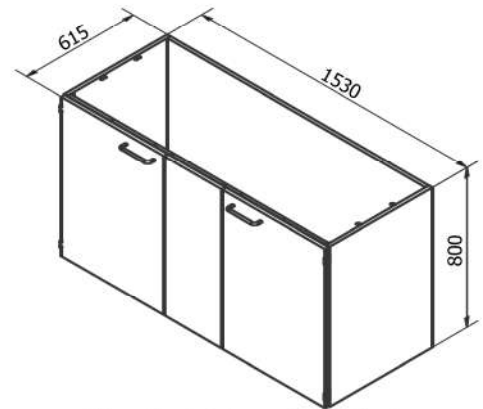
Sink underbench Cabinet on plinth



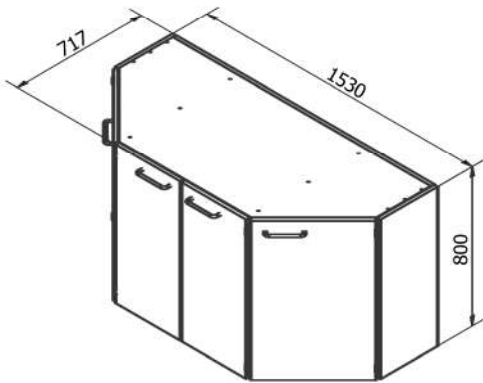
Sink cabinet with 1 door



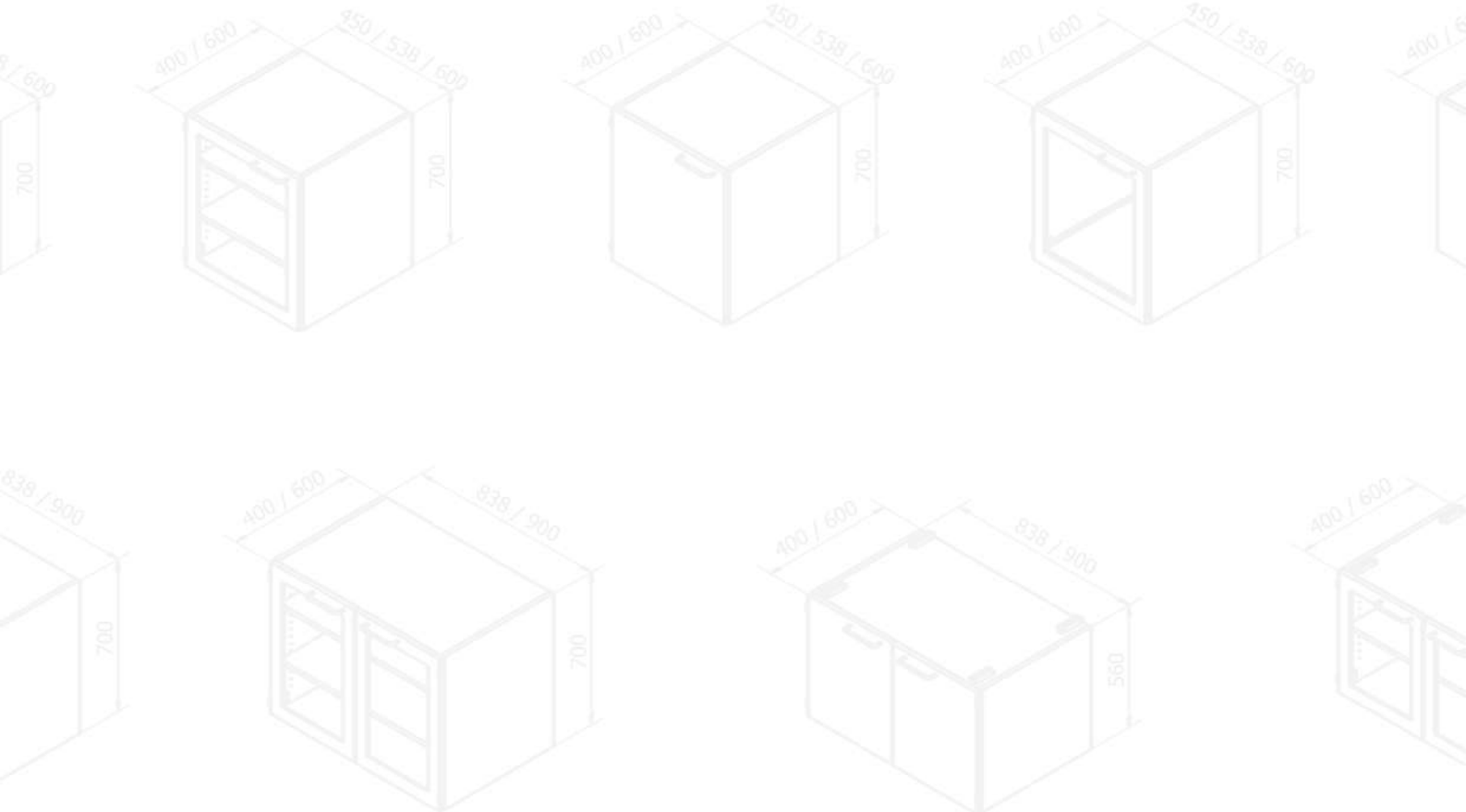
Sink cabinet with 2 door



Sink cabinet, 2 doors with middle piece



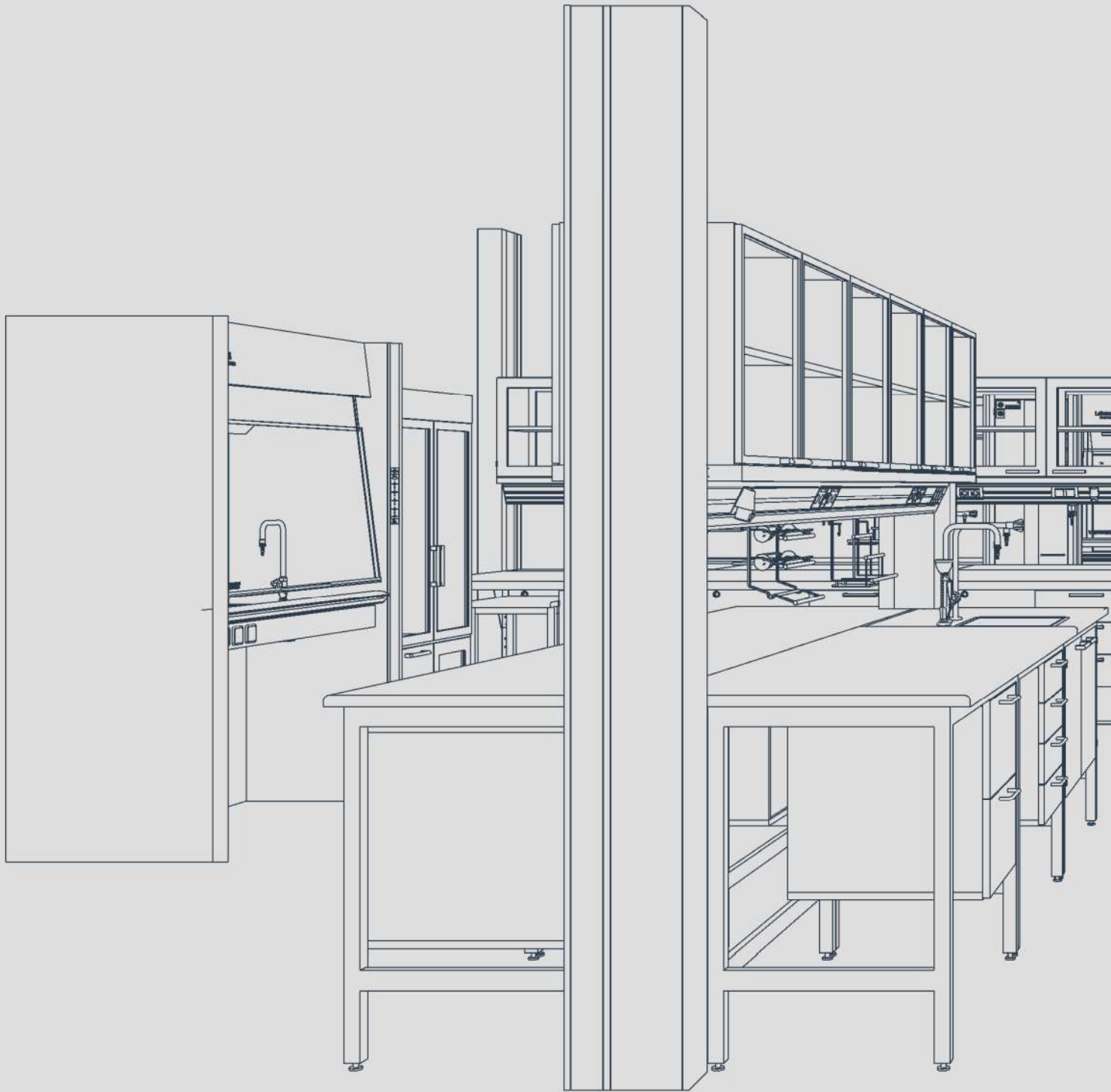
Sink cabinet with 6 edges, 4 doors















labmodul
Designing safety

Version: ★ ★ ★

LABMODUL A/S

Valhøjs alle 190
DK-2610 Rødovre
info@labmodul.dk